

This is a hybrid offset version of the classic and proven gastronomy SCHATTELLO model, made by the leading manufacturer in Germany. Thousands of customers appreciate its stability, durability and variety. An offset mast allow larger furniture to be covered for an optimal shading of your terrace. You would like to please your guests on a hot summer's day by offering them a welcoming seat outdoors in the cool shade? Or to charm them on a nippy day or a chilly night by conjuring up a cosy atmosphere with dimmed lights and comfortable heating? Then our strong but graceful EXZENTER is what you are looking for. The maintenance- free gearbox is designed for ultra-easy handling, even after many years of outdoor use in any weather.

HEAVY DUTY

OFFSET PARASOL

For professional gastronomy
All-weather protection
Easy operation
Professional additional
equipment



EXZENTER 3.0m x 4.0m rectangular parasol in 314325 Ecrú

You will find our product video at: may.ag/s_en

Frame joints

For us perfection in workmanship is an absolute must. Therefore, all moving axes are fitted with easily removable bolts. This extravagant technology ensures maximum stability and durability as well as easy execution of repairs.



Top plate

Elegant and graceful. Can be screwed off. Colour to match frame.

Canopy options

This optional, decorative textile bonnet for the top of the parasol canopy gives a feeling of airy, Mediterranean stylishness.



Canopy bonnet



Central rod system

The robust parasol central rod system consists of two discs with support struts and spokes. In order to prevent the spokes from twisting, the lower distribution flange is firmly welded to the support pole. The frame is made of high-quality, alloyed, extruded aluminium profiles.

- support pole Ø 76 x 3 mm
- spoke dimensions 35 x 20 x 2 mm
- support strut dimensions 30 x 20 x 2 mm

Valance options



Straight valance

Without valance



Operating the parasol

SCHATTELLO, our giant parasol, is opened and closed with a smooth-running, removable stainless steel crank or with the help of a cordless drill (hex drill fitting). The reliable drive-system with accurate integrated bevel gears guarantees effortless handling, even after years of usage. For a more convenient operation the giant parasol can be equipped with a tabular motor at extra charge.



Canopy covering

Due to a special self-tensioning telescopic spring system the colour remains perfectly taut, even after years of usage. The canopy covering can easily and quickly be exchanged by means of a practical hooking system. For fabrics and colours see page 178 onwards.



High-quality framework materials

Frame surface is powder-coated, highly shock and impact-proof, available in following colours:



Standard colours:

- RAL 9010 pure white
- RAL 9006 white aluminium

Special colours, no extra charge:

- RAL 8019 greybrown
- RAL 7016 anthracite grey fine structure * NEW!

Special colours available on request.

Installation options

Mobile see page 98 onwards, stationary see page 102 onwards.

Wind tunnel tested

We were able to prove the stability and sturdiness of our parasols during various tests in a wind tunnel. Even wind speeds of 50 km/h could not do any harm to a parasol of Ø 5 m. However, stability can only be guaranteed if the pedestal frame is adequately weighed down for the wind conditions of the intended location.

When not in use

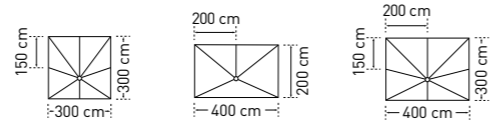
The protective cover provided can easily be slipped over the parasol during bad weather periods.

Mounting

Pull parasol from cardboard sleeve, remove all packaging material, place parasol mast in installation base, that's all – ready for use in a jiffy!

Additional equipment

Side sheets see page 176 onwards, rain gutter see page 80 onwards, premium equipment see page 162 onwards.

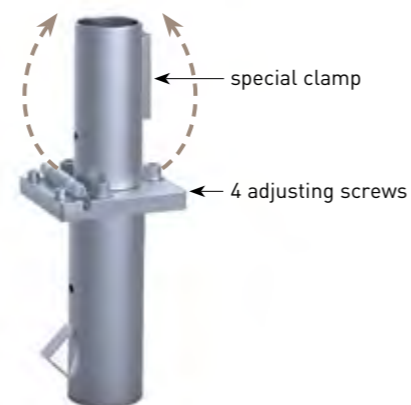


EXZENTER eccentric			3.0 x 3.0 m	2.0 x 4.0 m	3.0 x 4.0 m
X	Distance from centre pole to outer edge of canopy	cm	100	70	100
	Segments		8	5	8
	Area	m ²	9	8	12
A	Height closed incl. top plate	cm	391	370	410
B	Height opened incl. top plate	cm	305	293	300
C	Headroom with valance	cm	212	212	212
D	Headroom without valance from spoke edge	cm	237	237	237
F	Ground clearance from spoke edge	cm	144	140	118
G	Height of lower disc flange	cm	250	246	263
J		cm	193	248	197
K		cm	232	-	192
L		cm	213	169	175
M		cm	288	-	293
	Weight without packaging MayTex-Acryl without valance	kg	37	27	36
	Support pole diameter	mm	outer-Ø 76, pole thickness 3		
	Packaging cardboard sleeve: length 444 cm		Ø 33 cm approx. 17 kg		
	Installation base length/width/min. depth	cm	50 / 50 / 60		
	Minimum-ballast Number of layers of concrete slabs XZ50 required		2 x = approx. 224 kg		

The heights specified are for parasols with MayTex-Acryl covering fabric that are mounted in an anchor tube SZ150. The increase in height for eccentric parasols with other installation bases can be seen in the list below:

- Full frame pedestal: SZ203 + 17 cm
- Full frame pedestal: SZ412 + 12 cm
- Anchor plate: SZ131 + 1.5 cm
- Base plate: SZ273 + 4 cm
- Base plate: SZ275 + 4 cm

Dimensional tolerance approx. ± 5%



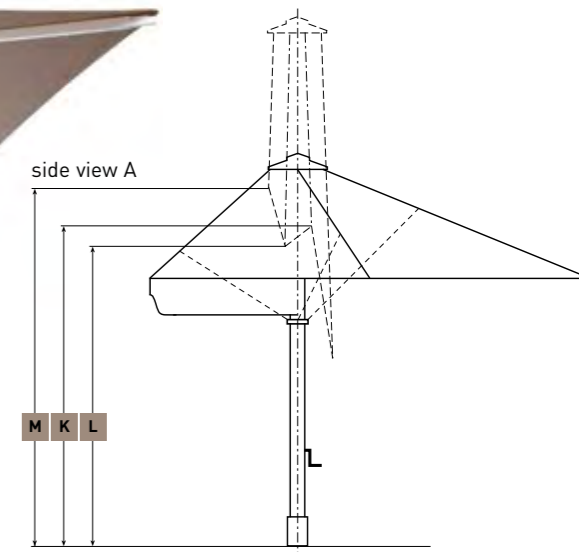
SZ150 with alignment possibility + special clamp

Alignment possibility + special clamp

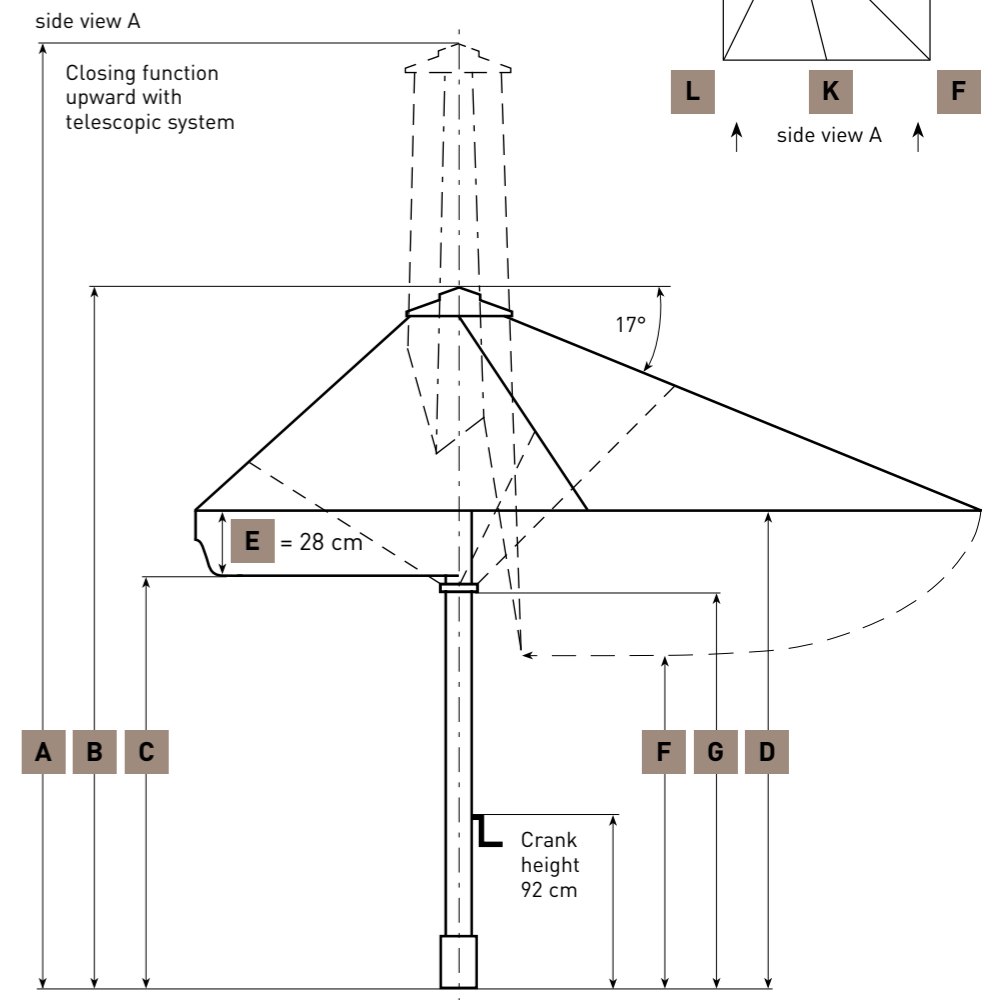
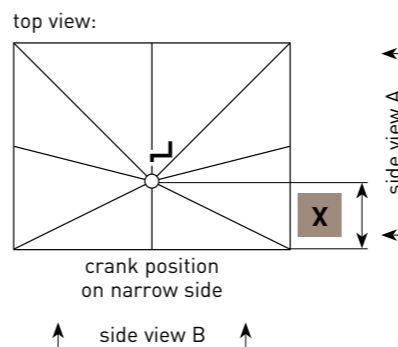
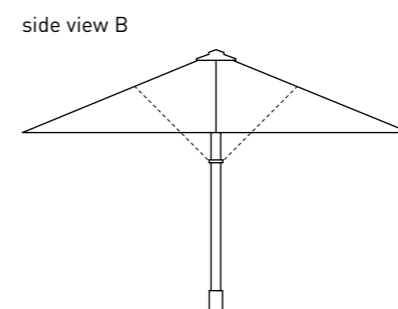
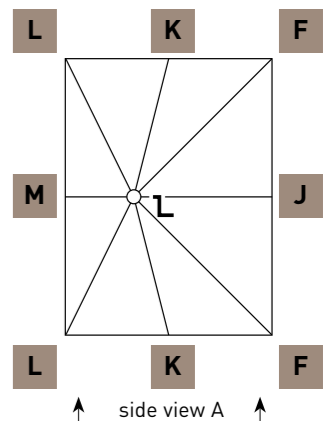
It is only possible to use such installation bases for SCHATTELLO parasols that have a locking hinge or a full-frame pedestal, adjustable for slanting surfaces. Anchoring bases with locking hinge are installed with setscrews and a special surface clamp. This ensures that the eccentric parasol will be aligned and mounted completely upright.



SCHATTELLO 3.0 x 3.0 m eccentric
MayTex-Acryl SA 314 038 beige



spoke allocation top view:





Regular rain gutter

Self supporting rain gutter



Rain gutter
in -Poly or PVC, with aluminium rods for stabilization. Can only be used with valance.

art. no. **XA141**

Holder for suspended rain gutter
made from aluminium and stainless steel, 1 piece per spoke required.

with 1 eyelet screw and 1 stainless steel angle, left

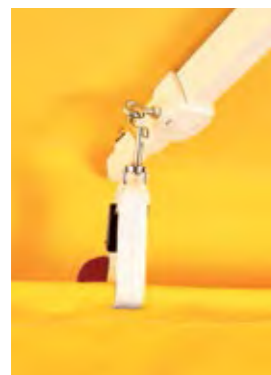
art. no. **SA150**

with 1 eyelet screw and 1 stainless steel angle, right

art. no. **SA151**

with 2 eyelet screw and 2 stainless steel angles

art. no. **SA152**



Glass-fibre reinforced plastic holder for side sheet and rain gutter
1 piece per spoke required.

with 1 eyelet screw
with 2 eyelet screws

art. no. **SA141 01**

art. no. **SA141 02**

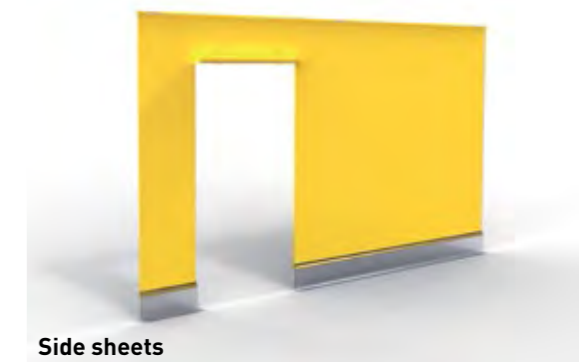
Length extension of centre pole
State required additional length in cm (max. 50 cm).

Shortening of centre pole
Length on request, dependent on parasol size.

Frame paint finish
Please state colour of powder-coating in RAL.

Canopy covering MayTex-PVC
approx. 480 g/m² ± 5%.

Side sheets
Textile in MayTex-Poly, see page 176 onwards.



Side sheets

EXZENTER- mobile installation options

Full frame pedestals for 1 set of concrete slabs

Full frame pedestal

frame size 103 x 111 cm, total height 29 cm, height of frame x = 5 cm, galvanized, weight approx. 30 kg. For 1 set of standard concrete slabs 50 x 50 x 5 cm.

art. no. **SZ411**



Full frame pedestal with 4 rubber diagonal support levelling screws

frame size 103 x 111 cm, total height min. 32 cm, max. 36 cm, galvanized, weight approx. 30 kg. For 1 set of standard concrete slabs 50 x 50 x 5 cm.

art. no. **SZ412**



Full frame pedestal on wheels

with rubber heavy-duty rollers and fixing brakes, frame size 103 x 111 cm, total height 36 cm, diameter of rollers 5 cm, galvanized, weight approx. 31 kg. For 1 set of standard concrete slabs 50 x 50 x 5 cm. Attention: wind sensitive!

art. no. **SZ414**



Heavy-duty wheels Ø 15 cm

wheel diameter 15 cm, for uneven surfaces. Rubber, with fixing brakes, loading capacity 110 kg/wheel. suitable for SZ414 and SZ205.

For orders with full frame pedestal

art. no. **351498**

For retrofitting

art. no. **351499**

Full frame pedestal on feet

for forklift or lift truck transport, frame size 103 x 111 cm, foot height y = 10 cm, galvanized, weight approx. 30 kg. For 1 set of standard concrete slabs 50 x 50 x 5 cm.

art. no. **SZ420**



EXZENTER - mobile installation options

Frame pedestal cover plate

stainless steel 1.4310, fits for SZ411, SZ412, SZ414 and SZ420. For retrofitting.

art. no. **200906**



SZ412 with 200906

Full frame pedestals for 2 sets of concrete slabs

Full frame pedestal

frame size 103 x 103 cm, total height 34 cm, height of frame x = 5 cm, galvanized, weight approx. 28 kg. For 2 sets of standard concrete slabs 50 x 50 x 5 cm.

art. no. **SZ201**



Full frame pedestal

with rubber diagonal support levelling screws, frame size 103 x 103 cm, total height min. 37 cm, max. 41 cm, galvanized, weight approx. 29 kg. For 2 sets of standard concrete slabs 50 x 50 x 5 cm.

art. no. **SZ203**



Full frame pedestal on wheels

with rubber heavy-duty rollers and fixing brakes, frame size 103 x 103 cm, total height 41 cm, diameter of rollers 5 cm, galvanized, weight approx. 29 kg. For 2 sets of standard concrete slabs 50 x 50 x 5 cm. Attention: wind sensitive!

art. no. **SZ205**



EXZENTER – mobile installation options

Full frame pedestal

customized height to fit patio surface, frame size 103 x 103 cm, screw-off upper part, galvanized, weight approx. 29 kg, incl. top plate for winter protection. For 1 set of standard concrete slabs 50 x 50 x 5 cm.

art. no. **SZ208**



Full frame pedestal with placement hinge

customized height to fit patio surface, frame size 103 x 103 cm, screw-off upper part, galvanized, weight approx. 32 kg, incl. top plate for winter protection. For 1 set of standard concrete slabs 50 x 50 x 5 cm.

art. no. **SZ210**



Concrete slabs

1 set = 4 slabs, each 50 x 50 x 5 cm, weight per slab: approx. 31 kg, total weight approx. 124 kg.

art. no. **XZ50**



EXZENTER – mobile installation options

Steel plates with cut off edge

1 set = 4 slabs, each 50 x 50 x 1.2 cm. Cut off edge 70 mm x 45°. Weight per slab: approx. 29 kg, total weight approx. 116 kg.

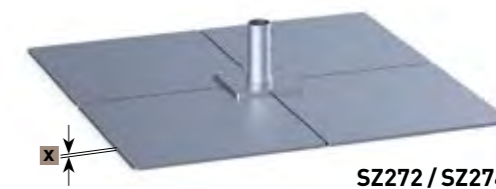
art. no. **XZ51**



Free-standing base plate

for parasols up to 21 m² in size, to be screwed together on site, heaviest component approx. 50 kg, base plate size 147 x 147 cm, steel plate thickness x = 12 mm, galvanized, weight approx. 213 kg.

art. no. **SZ272**



Free-standing base plate

for parasols from 21 m² in size, to be screwed together on site, heaviest component approx. 63 kg, base plate size 147 x 147 cm, steel plate thickness x = 15 mm, galvanized, weight approx. 263 kg.

art. no. **SZ274**

Base plate with placement hinge

for parasols up to 21 m² in size, to be screwed together on site, heaviest component approx. 50 kg, base plate size 147 x 147 cm, steel plate thickness x = 12 mm, galvanized, weight approx. 214 kg.

art. no. **SZ273**



Base plate with placement hinge

for parasols from 21 m² in size, to be screwed together on site, heaviest component approx. 63 kg, base plate size 147 x 147 cm, steel plate thickness x = 15 mm, galvanized, weight approx. 264 kg.

art. no. **SZ275**

Anti-slip mat

1 set = 4 pieces 73 x 73 cm each, suitable for the steel plates of the installation options SZ272, SZ273, SZ274, SZ275, SZ240, SZ241, SZ242 and SZ243. Increases the coefficient of friction between steel plate and floor covering (wood, concrete slabs, asphalt), and therefore reduces the risk of slipping during windy weather. Colour black, x = 3 mm.

art. no. **352789**



EXZENTER – stationary installation options

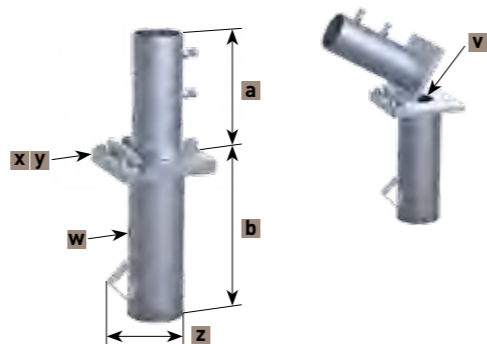
Anchor tube to be embedded in concrete with placement hinge
2 pieces, screw-off upper part, galvanized, weight approx. 11 kg, incl. top plate for winter protection.

v = bore for power cable through centre post Ø 7 cm.

w = bore hole for underground cable Ø 1.3 cm.

a = 23 cm, b = 28 cm, x = 16 cm, y = 17.5 cm, z = 15 cm.

art. no. **SZ150**

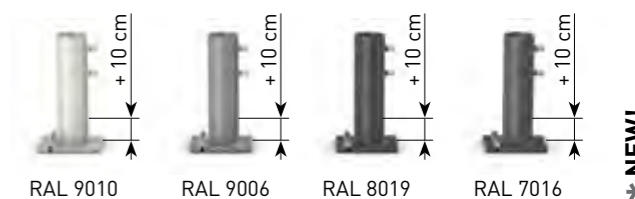


SZ150 options: galvanized with additional powder-coating

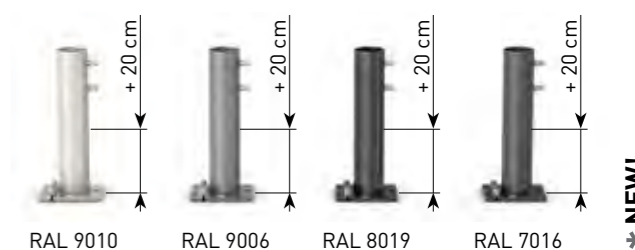
Standard length



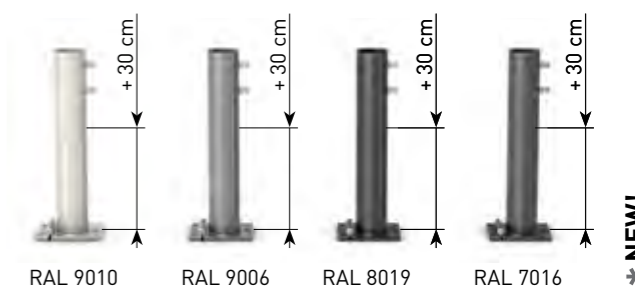
Extra length + 10 cm



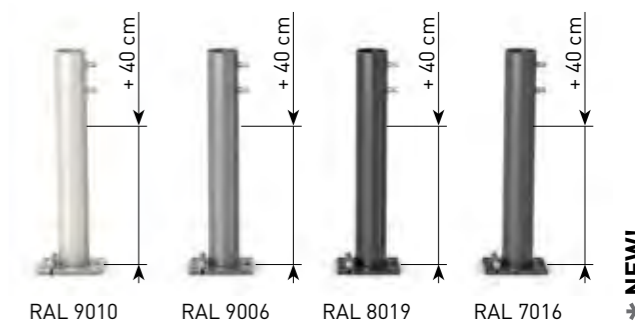
Extra length + 20 cm



Extra length + 30 cm

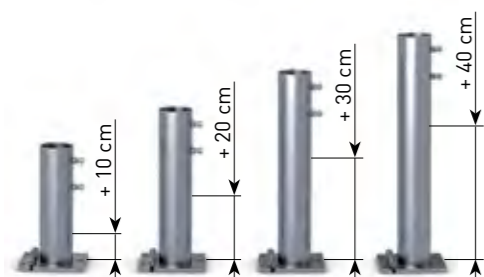


Extra length + 40 cm



SZ150 options: galvanized

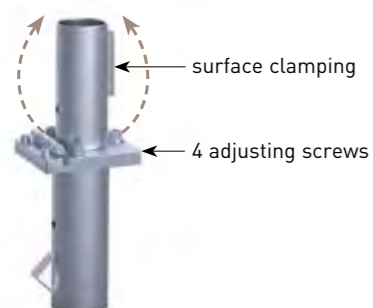
SZ150 upper anchor tube, extra length



SZ150 lower anchor tube, extra length



SZ150 with tilt adjustment + surface clamping



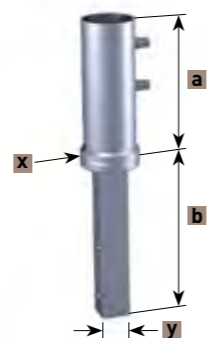
EXZENTER – stationary installation options

Anchor tube to be embedded in concrete

for an existing foundation with a bore hole of min. \varnothing 71 mm, 2 pieces, screw-off upper part. Bore hole filled with grouting or epoxy resin to fix lower part of anchor tube. Existing foundation must be adequate in size for the designated parasol. Galvanized, weight approx. 5 kg, lower tube square, incl. top plate for winter protection.

a = 22 cm, b = 29 cm, x = \varnothing 10 cm, y = \square 5 cm.

art. no. **SZ146**

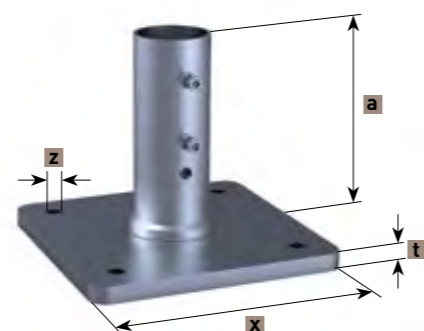


Dowel-anchored plate

2 pieces, screw-off upper part, galvanized, weight approx. 15 kg.

a = 22 cm, x = \square 30 cm, t = 1.5 cm, z = \varnothing 1.8 cm

art. no. **SZ261**

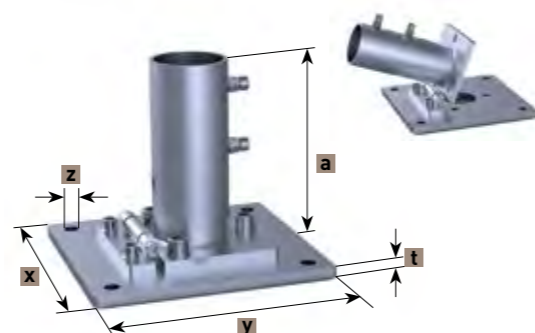


Dowel-anchored plate with placement hinge

galvanized, weight approx. 11.2 kg.

a = 23 cm, x = 26 cm, y = 27.5 cm, t = 1.2 cm, z = \varnothing 1.8 cm

art. no. **SZ131**

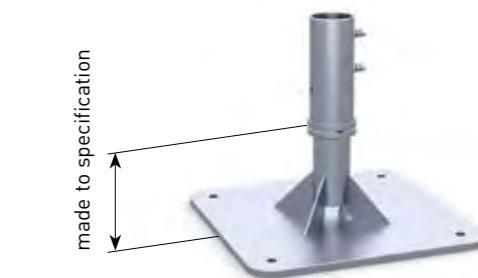
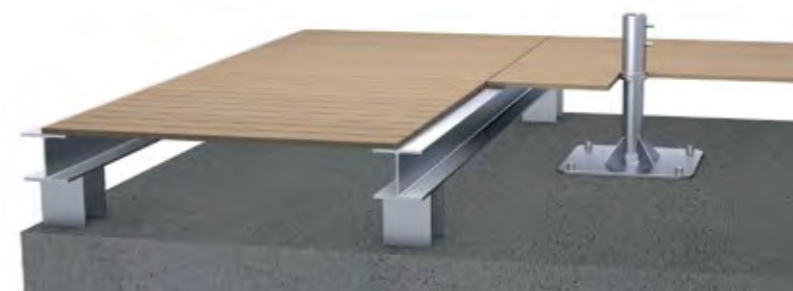


EXZENTER – stationary installation options

Dowel-anchored plate

customized height to fit patio surface, anchor plate 50 x 50 cm, screw-off upper part, galvanized, weight approx. 32 kg, incl. top plate for winter protection.

art. no. **SZ129**



Dowel-anchored plate with placement hinge

customized height to fit patio surface, anchor plate 50 x 50 cm, screw-off upper part, galvanized, weight approx. 33 kg, incl. top plate for winter protection.

art. no. **SZ127**

